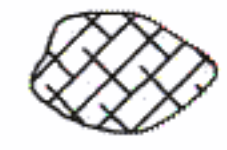





STAKED IDENTIFICATION

STAKED IDENTIFICATION

LEGEND

-  AMPULES
-  SOIL MOUND
-  STAKED GEOPHYSICAL GRID POINT
-  DEPRESSION

CONTOUR INTERVAL = 2 MILLISIEMENS PER METER

EM DATA TRANSECT

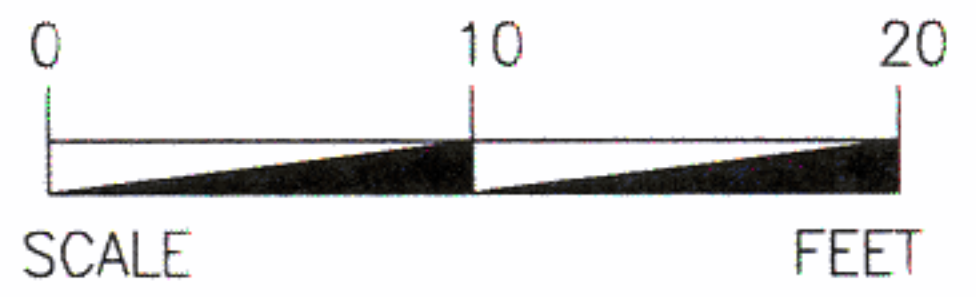


FIGURE 8.3
EM CONDUCTIVITY DATA (NE-SW)
SWMU B-23
CSSA HIGH PRIORITY SWMUs

8-5

October 1995