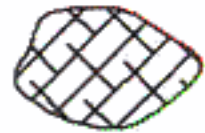


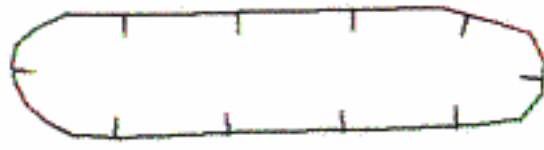


LEGEND

-  AMPULES
-  SOIL MOUND
-  STAKED GEOPHYSICAL GRID POINT
-  DEPRESSION

CONTOUR INTERVAL = 2 PARTS PER THOUSAND

EM DATA TRANSECT

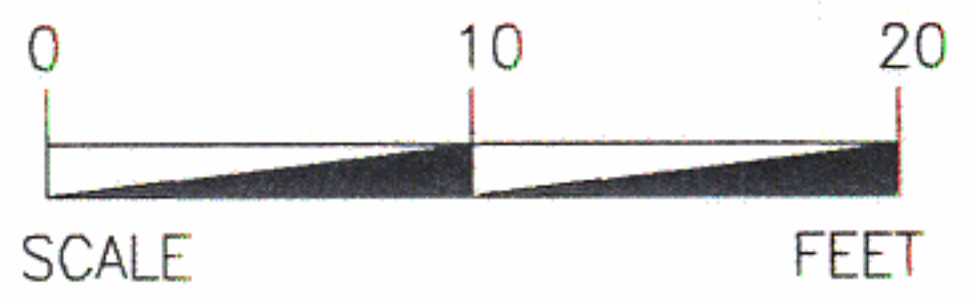


FIGURE 8.6
EM IN-PHASE DATA (NW-SE)
SWMU B-23
CSSA HIGH PRIORITY SWMUs

8-8

October 1995